

Instructions

for use of Technoform
long goods pallets type P-60

Instructions

for use of Technoform long goods pallets type P-60

Scope: All companies of the Technoform Group



Improper operation or use for which it is not intended can prove hazardous or lethal for the user and others, as well as damaging to the stillages or other objects. The manufacturer is not liable for damages resulting from such misuse. The operator alone assumes all responsibility.

Each enterprise is to make operating instructions for their own employees. These operating instructions must be displayed clearly.

For this reason, each person who is involved with use of the "Technoform long goods stillages" is obliged read and understand these instructions.



Possible hazards result from excessively high stacking of stillages which are not correctly mounted or interlocked and through the use of damaged, bent, or broken stillages.

Transportation on site by fork-lift trucks can cause danger through excessive speed, especially near work areas, on corners, and at blind spots.



Other causes of danger/accidents are incorrect loading, overload of fork lift trucks, limited visibility, or narrow traffic areas.

Safety regulations for Technoform long goods stillages type P-60

A General

Unladen weight of stillage

The weight of one Technoform stillage type P-60 is 236 kg.

Permissible load capacity

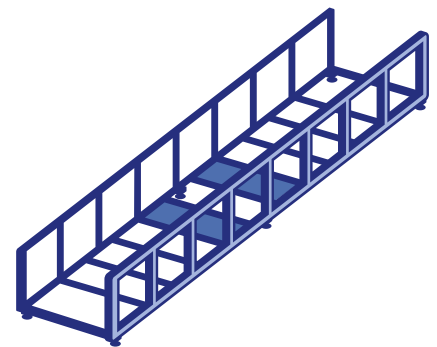
The maximum permissible load capacity for a Technoform long goods stillage type P-60 is 1,700 kg (1.7 to).

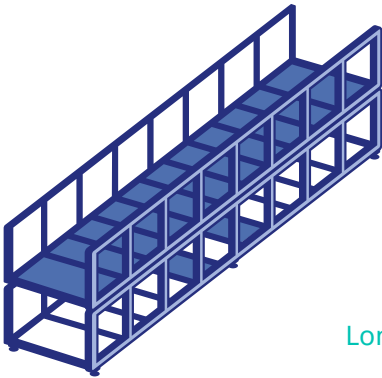
Stackability

The Technoform stillages type P-60 are designed so that they can be stacked both empty and at full load.

Stillages type P-60 can also be stacked with Technoform stillages type II and type III (see the documents "IN-03eTE-group01 Instructions for long goods pallets type II" and "IN03eTE-Group02 Instructions for long goods pallets type III").

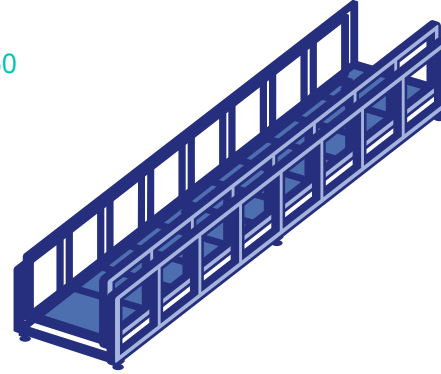
Superposition of full type P-60 stillages, or P-60 stillages with type II or type III stillages, or type II and type III stillages with P-60 stillages: In this case the stillages must be stacked so that the pivot pins on the upper horizontal beam match with the base of the support feet (stillage type II and III) or with the sockets placed on the lower horizontal beam (stillage type P-60).





Superposition of empty type P-60 stillages:
Empty type P-60 stillages can be stacked as previously indicated or stacked in such a way to reduce the space.

Long goods stillages type P-60



Thanks to this particularity of type P-60 stillages, it is possible to reduce significantly the space: the volume occupied by 3 pallets stacked in the traditional manner, can be loaded up to 21 stillages stacked according to the scheme.

Permissible stack load

The total gross weight of the stack positioned on a ground is the sum of all the net weights and the dead loads of the stacked stillages. The maximum allowable stack load varies according to whether the stack is formed by only stillages type P-60 or different types.

Stack positioned on the ground and formed by only stillages type P-60: The maximum permissible load capacity is equal to 11,616 kg (total gross weight equal to 11.6 to), which corresponds to 6 of P-60 stillages at full load.

Stack positioned on the ground and formed by different types of stillages: The maximum permissible load capacity is equal to 6,000 kg (total gross weight equal to 6 to).

Please see the documents "IN03eTE-Group01 Instructions for long goods pallets type II" and "IN03eTE-Group02 Instructions for long goods pallets type III". In any case, the stillages must be arranged in such a way that their gross weight decreases as the height of the stack increases (high weight lower, low weight higher).

In any case, the stillages must be arranged in such a way that their gross weight decreases as the height of the stack increases (high weight lower, low weight higher).

Permissible stack height

The maximum permissible stack height of a Technoform stillage type P-60 is 6. In case the stack consists of different types of stillages, the permissible height of the stack is 5 (see the documents "IN03eTE-Group01 Instructions for long goods pallets type II" and "IN03eTE-Group02 Instructions for long goods pallets type III"). In both cases the maximum permissible load capacity should always be respected.

Identification

The Technoform stillages type P-60 are labeled so that the following information can be seen: Technoform BAUTEC xxxx – number of stillages – maximum permissible load – deadload – maximum stack height – year of manufacture.

Specific loading conditions

It is possible to load Technoform type P-60 stillages with exceeding dimensions of the stillage longitudinally provided that the maximum permissible load capacity is respected. It is allowed to load with an excess length up to 50 cm on each side. Different loading conditions must be specifically checked.

Safety regulations for Technoform long goods stillages type P-60

B Handling

Lifting by crane

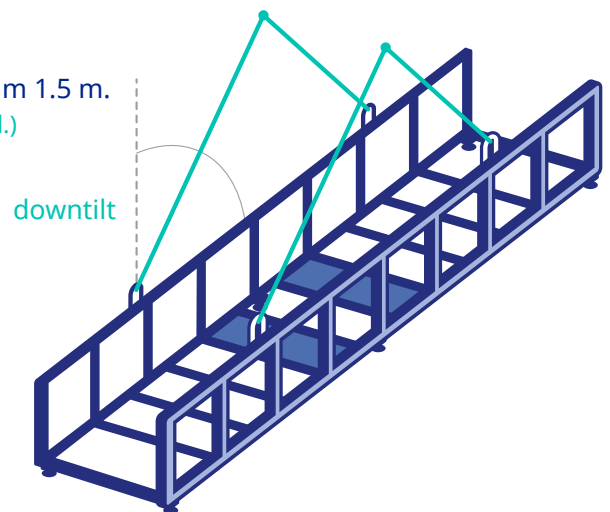
For lifting of the Technoform stillage type P-60, a single lifting accessory must be used for each ring positioned on the upper beams. It is possible to move only one stillage at a time by crane.

The distance between the lifting ring is about 3,080 mm.

Caution, a downtilt larger than 45° is not permissible!

A downtilt to 45° is equivalent to a clearance height of minimum 1.5 m. (Notice: downtilt 0° means: righted used lifting accessories are vertical.)

Note: the lifting capacity of individual systems is to be strictly observed.



Long goods stillages type P-60

Forklift handling

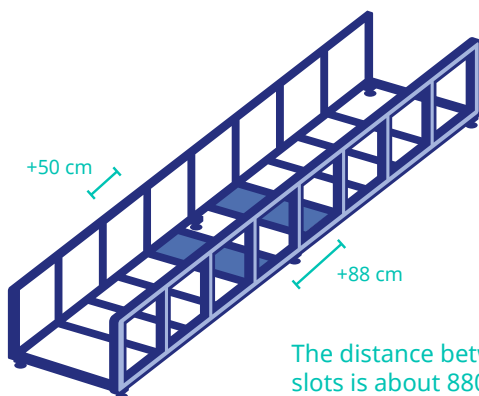
Technoform long goods stillages type P-60 must be lifted properly positioning the forks into the slots located at the bottom of the beams.

Attention: the lifting capacity of the forklift is to be observed strictly.

(Notice: lifting instructions explained below must be respected.)

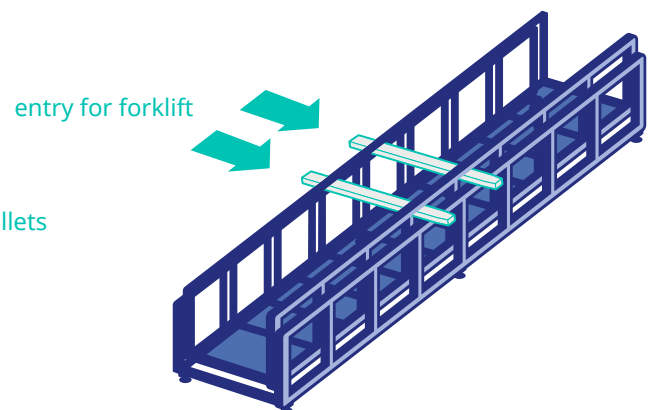
It is possible to lift maximum 3 full stillages at once. In case of lifting partially loaded stillages, it is recommended to lift the heaviest one at the bottom.

Stillages type P-60 can be lifted up by positioning the forks below the lower horizontal beams only when empty and only for superpositioning operations of the stillages as previously described.



Long goods pallets type P-60

The distance between the lifting slots is about 880 mm. The width of each slot is 500 mm.



Safety regulations for regular use:

(Hazards and precautions)



- Stillages shouldn't be used for purposes other than they are intended (containment and handling of polyamide profiles).
- Always inspect the long goods stillages for safety before use.
- Never use defective long goods stillages which are potential hazards. These long goods stillages must be decommissioned by marking the defective area clearly.
- Never lift the stillages from the hooks if they show signs of damage (deformation, ...) which would adversely affect the resistance.



- Stillages must be handled by appropriate means or lifting accessories which must conform to laws and be periodically checked accordingly.
- Follow the general rules for the handling of cargos.
- Never overload the stillages by respecting the maximum load capacity indicated in the previous pages.



- Stillages must always be set down gently.
- Always load the long goods stillages in such a way that the contents do not slide out.
- Always store the long goods stillages so that the stacks are vertical and intermeshed.



- Never set down the long goods stillages on an inclined surface.
- Always observe strictly the maximum permissible load-bearing capacity of the storage area.
- Always observe strictly the center of gravity when lifting the long goods stillage.
- Always watch for potential hazards while handling long goods stillages.